

### Specifications

- Voltage Rating: 125V AC / DC
- Current Rating: 2A AC / DC
- Withstand Voltage: 500V AC/minute
- Insulation Resistance: 1000M Min
- Temperature Range: -25°C ~ +85°C
- Contact Resistance: Intial value/10mΩ Max.
- After Enviornmental Testing/20mΩ Max.

### Housing

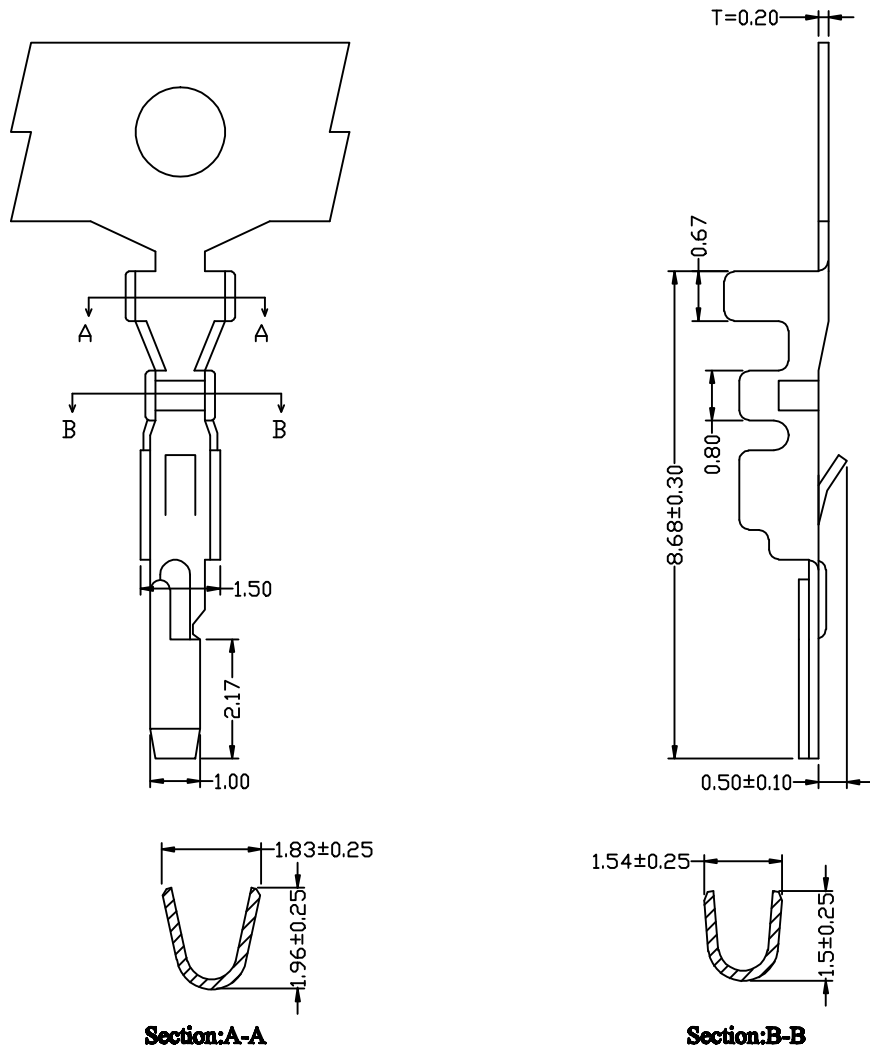
- Part No.: M2010FH
- Poles: 02-20
- Material: PBT UL94V-0
- Suitable HLB M2010T Series Terminal
- Mates With HLB M2010 Series Housing
- Q'ty: 1,000 Pcs/Bag

Poles	PART NO.	Dimensions (mm)		
		A	B	C
02	M2010FH-02	2.00	4.60	6.60
03	M2010FH-03	4.00	6.60	8.60
04	M2010FH-04	6.00	8.60	10.60
05	M2010FH-05	8.00	10.60	12.60
06	M2010FH-06	10.00	12.60	14.60
07	M2010FH-07	12.00	14.60	16.60
08	M2010FH-08	14.00	16.60	18.60
09	M2010FH-09	16.00	18.60	20.60
10	M2010FH-10	18.00	20.60	22.60
11	M2010FH-11	20.00	22.60	24.60
12	M2010FH-12	22.00	24.60	26.60
13	M2010FH-13	24.00	26.60	28.60
14	M2010FH-14	26.00	28.60	30.60
15	M2010FH-15	28.00	30.60	32.60
16	M2010FH-16	30.00	32.60	34.60
17	M2010FH-17	32.00	34.60	36.60
18	M2010FH-18	34.00	36.60	38.60
19	M2010FH-19	36.00	38.60	40.60
20	M2010FH-20	38.00	40.60	42.60

							<b>GENERAL TOLERANCE</b> X ±0.30 .XX ±0.20 .XXX ±0.10				<b>东莞市翰皓精密电子有限公司</b> Dongguan HanHao Precision Electronics Co.,Ltd				<b>PART NO.</b> M2010FH-XX											
							<b>APPROVAL</b> Smark				<b>CHECK</b> Yu wei				<b>DRAWN</b> Liu Yan				<b>DATA</b> 2011/05/22							
							<b>PROJECT</b> 				<b>UNIT</b> mm				<b>SCALE</b> 1:1				<b>NUMBER</b> 8				<b>REV</b> B			
2011/05/22	A	B		Modify frame format	Jova	Jova Lau																				
<b>DATE</b>	<b>OLD REV</b>	<b>NEW REV</b>	<b>ECN</b>	<b>DESCRIPTION</b>	<b>CHECK</b>	<b>APPROVAL</b>																				

1 | 2 | 3 | 4 | 5 | 6 | 7 | 8

F  
E  
D  
C  
B  
A



■ Specifications

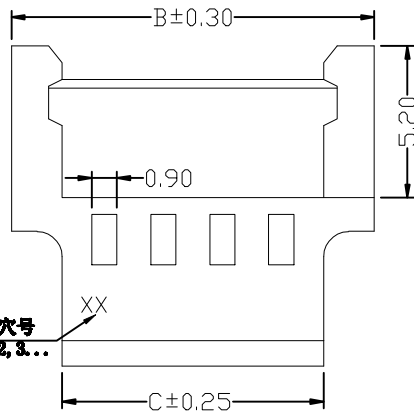
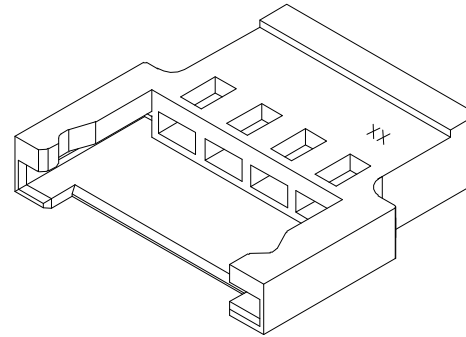
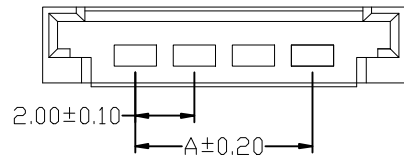
- Voltage Rating: 125V AC / DC
- Current Rating: 2A AC / DC
- Withstanding Voltage: 500V AC/minute
- Insulation Resistance: 1000MΩ Min
- Temperature Range: -25 C~+85 C
- (Including Temperature Rise in applying electrical current)
- Applicable PC board Thickness: 0.063" (1.6mm)
- Contact resistance: 10mΩ Max.
- After Enviromental Testing/20mΩ Max.

■ Terminal

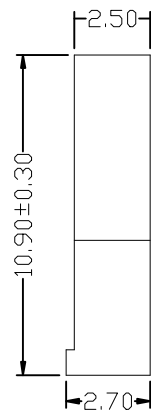
- Part No.: M2010FT
- Applicable Wires: AWG#24-28
- Material: Phosphorbrone
- Finish: Tin Plated
- Thickness: 0.2mm
- Used in HLB M2010 Series Housing
- Q'ty: 10,000 Pcs/Reel

							<b>GENERAL TOLERANCE</b> X ±0.30 XX ±0.20 XXX ±0.10				<b>东莞市翰皓精密电子有限公司</b> Dongguan HanHao Precision Electronics Co.,Ltd				<b>PART NO.</b> M2010FT			
											<b>TITLE</b> 2.0 mm Crimp Style Connectors							
2011/05/22	A	B		Modify frame format	Jova	Jova Lau	APPROVAL	CHECK	DRAWN	DATA	UNIT	SCALE	NUMBER	REV				
DATE	OLD REV	NEW REV	ECN	DESCRIPTION	CHECK	APPROVAL	Smak	Yu wei	Liu Yan	2011/05/22	mm	1:1	8	B				

1 | 2 | 3 | 4 | 5 | 6 | 7 | 8



模穴号  
1, 2, 3...



### Specifications

- Voltage Rating: 125V AC / DC
- Current Rating: 2A AC / DC
- Withstand Voltage: 500V AC/minute
- Insulation Resistance: 1000M Min
- Temperature Range: -25°C ~ +85°C
- Contact Resistance: Initial value/10mΩ Max.
- After Enviornment Testing/20mΩ Max.

### Housing

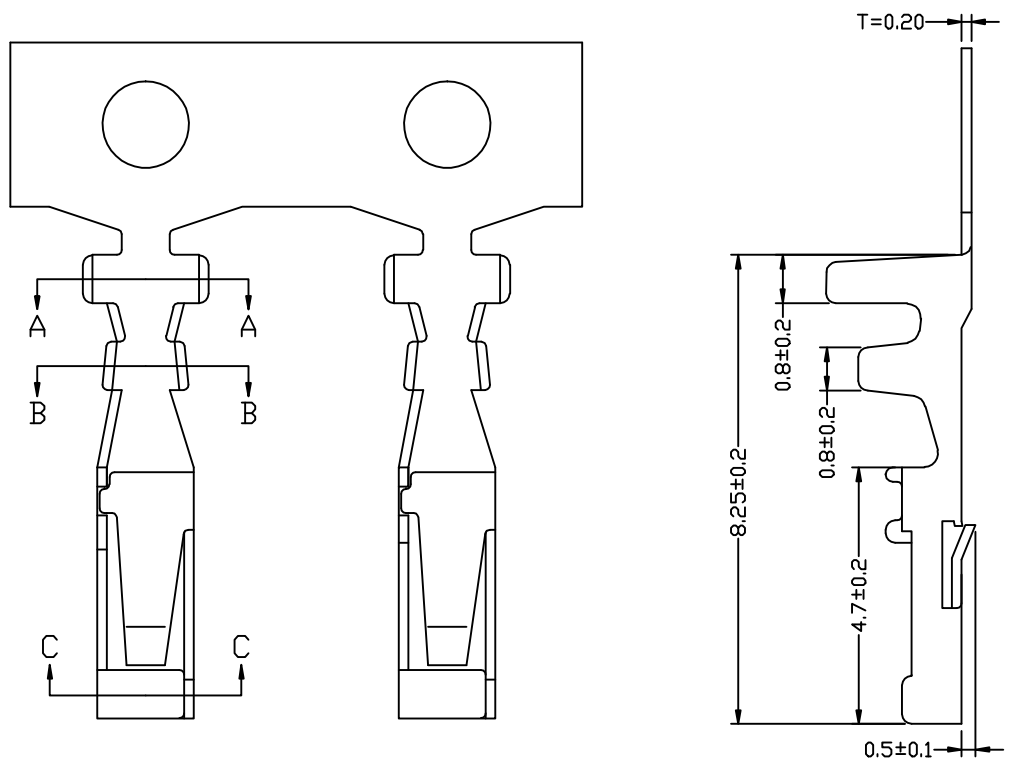
- Part No.: M2010MH
- Poles: 02-20
- Material: PBT UL94V-0
- Suitable HLB M2010T Series Terminal
- Mates With HLB M2010 Series Housing
- Qty: 1,000 Pcs/Bag

Poles	Part No.	Dimensions (mm)		
		A	B	C
02	M2010MH-02	2.00	8.20	4.60
03	M2010MH-03	4.00	10.20	6.60
04	M2010MH-04	6.00	12.20	8.60
05	M2010MH-05	8.00	14.20	10.60
06	M2010MH-06	10.00	16.20	12.60
07	M2010MH-07	12.00	18.20	14.60
08	M2010MH-08	14.00	20.20	16.60
09	M2010MH-09	16.00	22.20	18.60
10	M2010MH-10	18.00	24.20	20.60
11	M2010MH-11	20.00	26.20	22.60
12	M2010MH-12	22.00	28.20	24.60
13	M2010MH-13	24.00	30.20	26.60
14	M2010MH-14	26.00	32.20	28.60
15	M2010MH-15	28.00	34.20	30.60
16	M2010MH-16	30.00	36.20	32.60
17	M2010MH-17	32.00	38.20	34.60
18	M2010MH-18	34.00	40.20	36.60
19	M2010MH-19	36.00	40.20	38.60
20	M2010MH-20	38.00	42.20	40.60

							<b>GENERAL TOLERANCE</b> X ±0.30 XX ±0.20 XXX ±0.10				<b>东莞市翰皓精密电子有限公司</b> Dongguan HanHao Precision Electronics Co.,Ltd				<b>PART NO.</b> M2010MH-XX							
											<b>TITLE</b> 2.0 mm Crimp Style Connectors											
							<b>APPROVAL</b> Smark		<b>CHECK</b> Yu wei		<b>DRAWN</b> Liu Yan		<b>DATA</b> 2011/05/22		<b>UNIT</b> mm		<b>SCALE</b> 1:1		<b>NUMBER</b> 8		<b>REV</b> B	
<b>DATE</b> 2011/05/22		<b>OLD REV</b> A		<b>NEW REV</b> B		<b>ECN</b>		<b>DESCRIPTION</b> Modify frame format				<b>CHECK</b> Jova		<b>APPROVAL</b> Jova Lau								

1 | 2 | 3 | 4 | 5 | 6 | 7 | 8

F  
E  
D  
C  
B  
A

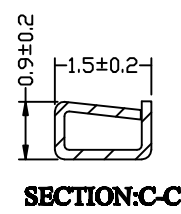
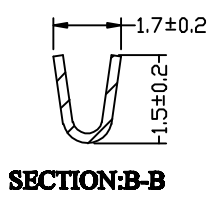
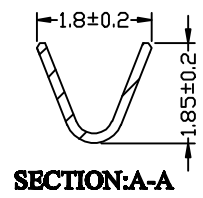


■ Specifications

- Voltage Rating: 125V AC / DC
- Current Rating: 2A AC / DC
- Withstanding Voltage: 500V AC/minute
- Insulation Resistance: 1000M $\Omega$  Min
- Temperature Range: -25 $^{\circ}$ C~+85 $^{\circ}$ C
- Contact Resistance: Intial value/10m $\Omega$  Max.
- After Enviornment Testing/20m $\Omega$  Max.

■ Terminal

- Part No.: M2010MT
- Applicable Wire: AWG#24-28
- Material: Brass
- Finish: Tin-Plated
- Used in HLB M2010 Series Housing
- Q'ty: 10,000 Pcs/Reel



							<b>GENERAL TOLERANCE</b> X $\pm 0.30$ XX $\pm 0.20$ XXX $\pm 0.10$				<b>东莞市翰皓精密电子有限公司</b> Dongguan HanHao Precision Electronics Co.,Ltd				<b>PART NO.</b> M2010MT															
							<b>APPROVAL</b> Smark				<b>CHECK</b> Yu wei				<b>DRAWN</b> Liu Yan				<b>DATA</b> 2011/05/22											
							<b>PROJECT</b> 				<b>TITLE</b> 2.0 mm Crimp Style Connectors				<b>UNIT</b> mm				<b>SCALE</b> 1:1				<b>NUMBER</b> 8				<b>REV</b> B			
2011/05/22	A	B		Modify frame format	Jova	Jova Lau																								
DATE	OLD REV	NEW REV	ECN	DESCRIPTION	CHECK	APPROVAL																								

1 | 2 | 3 | 4 | 5 | 6 | 7 | 8