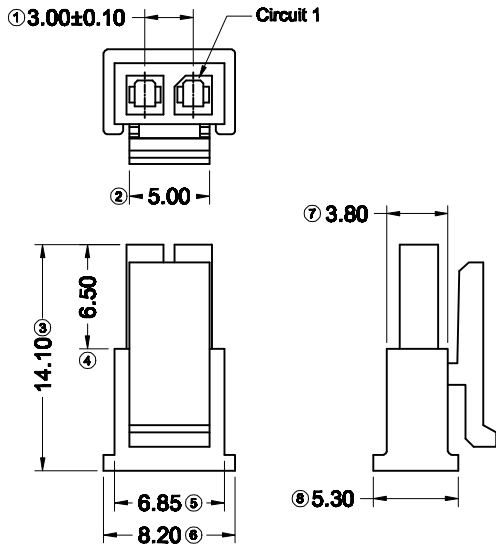
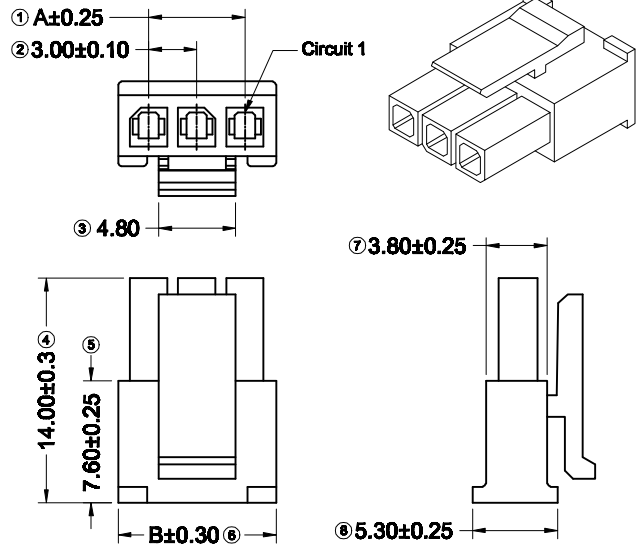


1 | 2 | 3 | 4 | 5 | 6 | 7 | 8

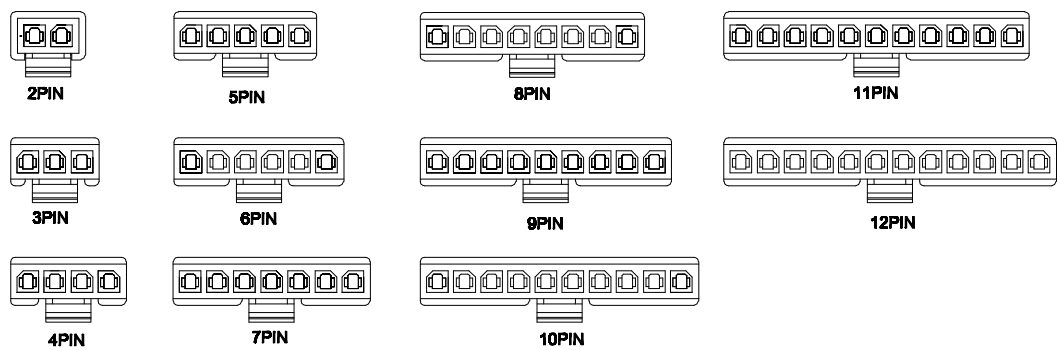
F  
E  
D  
C  
B  
A

F  
E  
D  
C  
B  
A



- Specifications :
- Voltage rating: 250V AC / DC
  - Current rating: 5A AC / DC
  - Withstanding voltage: 1000V AC/minute
  - Temperature range: -40°C~+105°C
  - Insulation resistance: ≥1000MΩ
  - Contact resistance: ≤10mΩ
  - After environmental testing: ≤20mΩ
  - Suitable HLB Terminal: M3001MT
  - Mates With HLB Wafer: M3001W

- ① Series No. M3001FH
- ② Welding Board Angle: Female HGS
- ③ Row No.-Pin No.: 02P~12P
- ④ Special No.
- ⑤ Material: PA66 94V-0
- ⑥ Color: Black



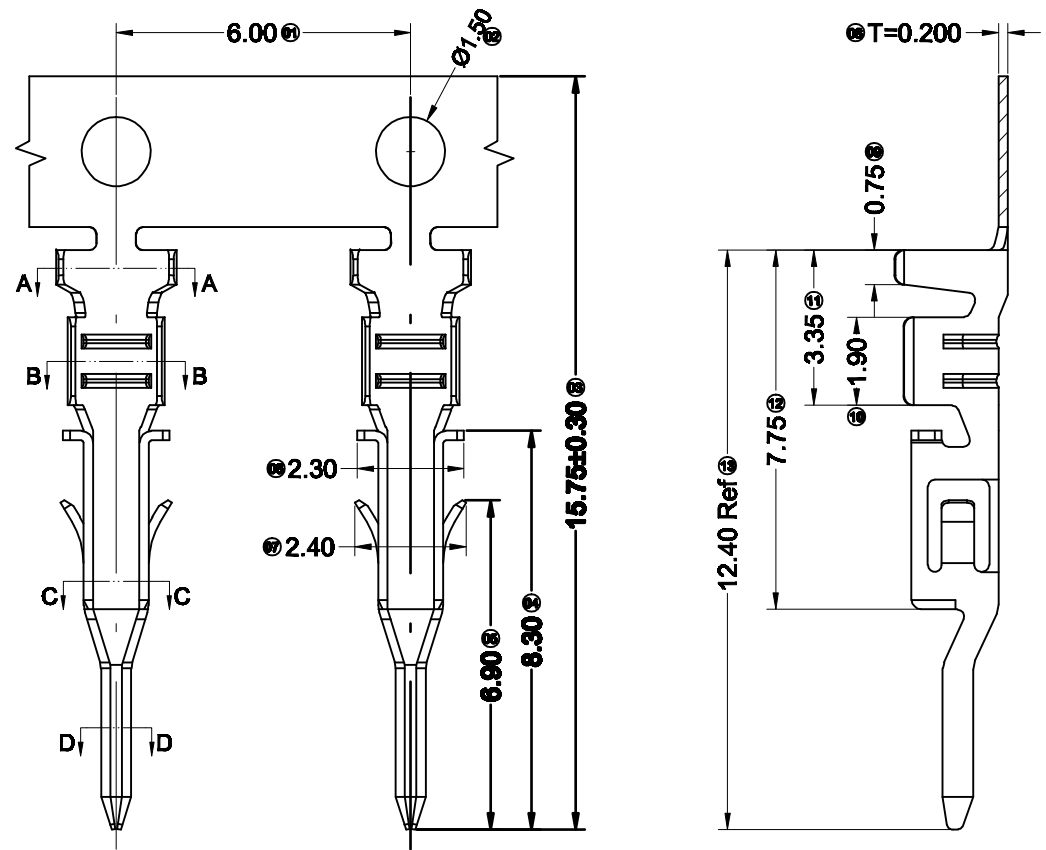
Poles	Dimensions (mm)		Poles	Dimensions (mm)	
	A	B		A	B
03	6.00	9.85	08	21.00	24.85
04	9.00	12.85	09	24.00	27.85
05	12.00	15.85	10	27.00	30.85
06	15.00	18.85	11	30.00	33.85
07	18.00	21.85	12	33.00	36.85

2017/04/25	E	F	/	Add Material Option	Wei yu	Jacky	<b>GENERAL TOLERANCE</b> X ±0.30 XX ±0.20 XXX ±0.10	东莞市翰皓精密电子有限公司 Dongguan HanHao Precision Electronics Co.,Ltd				PART NO. M3001FH-XX			
2015/09/23	D	E		According to the product appearance	sy/via	Jova Lau						TITLE 3.00 mm Crimp Style Connectors			
2015/01/05	C	D		Modify Temperature	Jova	Jova Lau		APPROVAL	CHECK	DRAWN	DATA	Kim Huang	Jova Lau	Liu Yan	2007/05/03
DATE	OLD REV	NEW REV	ECN	DESCRIPTION	CHECK	APPROVAL	PROJECT	UNIT	SCALE	NUMBER	REV				
							⊕	MM	1:1	A-022	F				

1 | 2 | 3 | 4 | 5 | 6 | 7 | 8

1 | 2 | 3 | 4 | 5 | 6 | 7 | 8

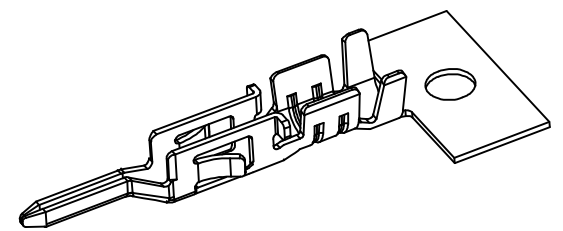
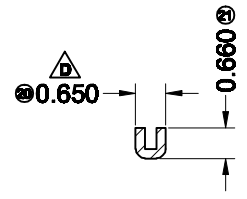
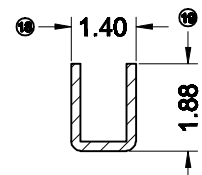
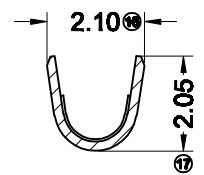
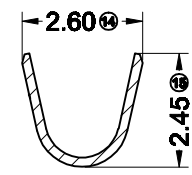
F  
E  
D  
C  
B



■ Specifications :

- Voltage rating: 250V AC / DC
- Current rating: 5A AC / DC
- Withstanding voltage: 1000V AC/minute
- Temperature range: -40°C~+105°C
- Insulation resistance: ≥1000MΩ
- Contact resistance: ≤10mΩ
- After environmental testing : ≤20mΩ
  
- Wire Size:AWG#20~24(0.5~0.22mm<sup>2</sup>)
- Insulation O.D.:1.85mm(Max)
- Used In HLB Housing:M3001MH :M3003MH

- ① Series Number:M3001FT
- ② Shape: Female
- ③ Material: Phosphor bronze
- ④ Plating style:
- ⑤ Bright tin plating(30u" Ni Min;70u"Sn Min)  
Plating method : Stamping before plating
- ⑥ Mold No./Mark/Special No.

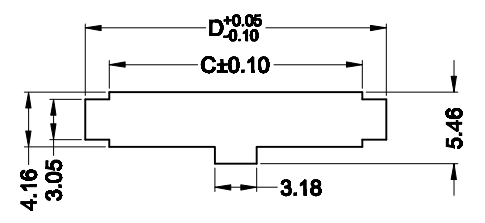
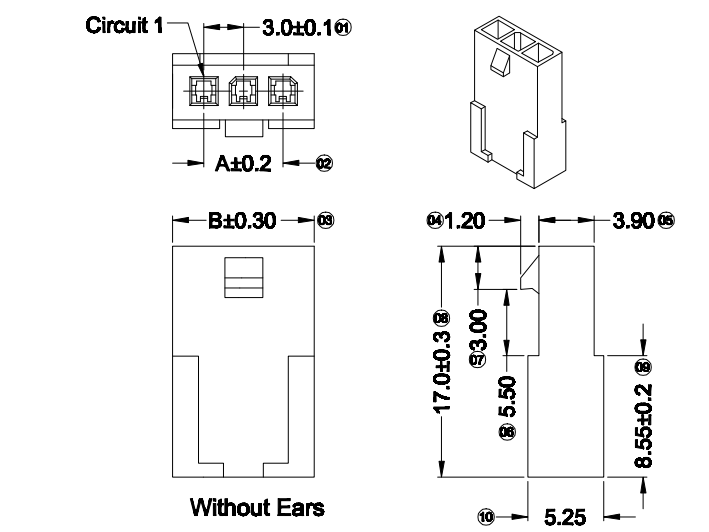
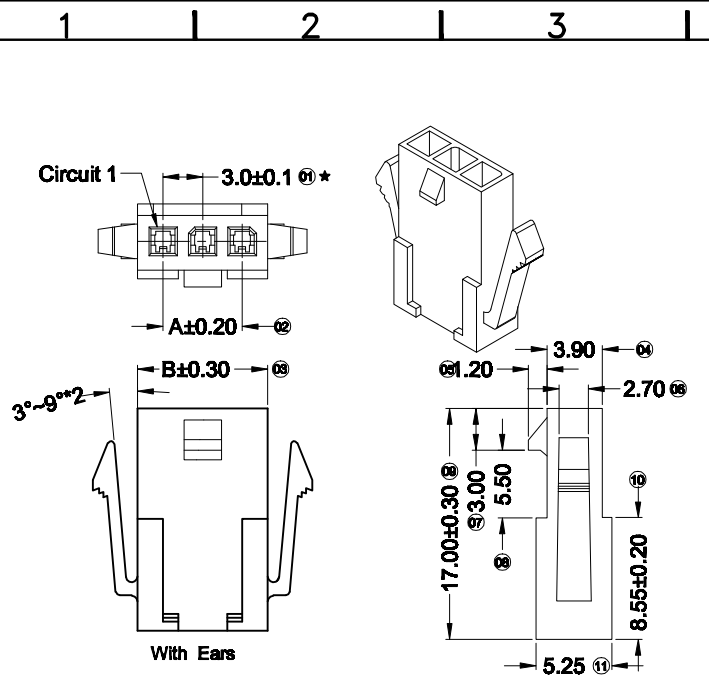


A

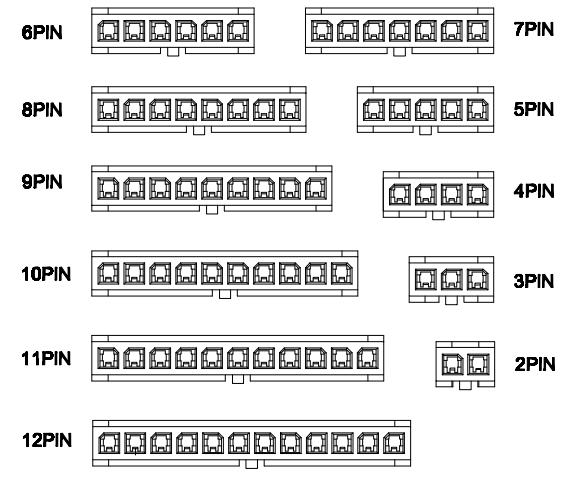
2016/12/26	C	D	ECN20161226001	Modify the size ⑥	Yuwei	Jacky	<b>GENERAL TOLERANCE</b> X ±0.30 XX ±0.20 XXX ±0.10	东莞市翰皓精密电子有限公司 Dongguan HanHao Precision Electronics Co.,Ltd				PART NO. M3001FT			
2016/07/06	B	C		Modify the size ⑬	Kerin	Jova Lau						TITLE 3.00mm Crimp Style Connectors			
2015/09/23	A	B		Modify the size ①②④⑤⑬⑭	Jian.He	Jova Lau		APPROVAL	CHECK	DRAWN	DATA	UNIT MM	SCALE 1:1	NUMBER A-014	REV D
DATE	OLD REV	NEW REV	ECN	DESCRIPTION	CHECK	APPROVAL	PROJECT	Smark	Guo	Wuxiaotao	2015/04/10				

1 | 2 | 3 | 4 | 5 | 6 | 7 | 8

F  
E  
D  
C  
B  
A



**With Ears Recommended P.C.B Layout**  
**General Tolerance±0.05 T=1.60~2.40mm**



- Specifications :
- Voltage rating: 250V AC / DC
  - Current rating: 5A AC / DC
  - Withstanding voltage: 1000V AC/minute
  - Temperature range: -40°C~+105°C
  - Insulation resistance: ≥1000MΩ
  - Contact resistance: ≤10mΩ
  - After environmental testing: ≤20mΩ
  - Mates With HLB Housing: M3001FH
  - Suitable HLB Terminal: M3001FT

- ① Series No.: M3001MH
- ② Welding Board Angle: Male HGS
- ③ Row No.-Pin No.: 02P~12P
- ④ Special No.: Without Ears  
With Ears
- ⑤ Material: PA66 94V-0
- ⑥ Color: Natural Color ; White

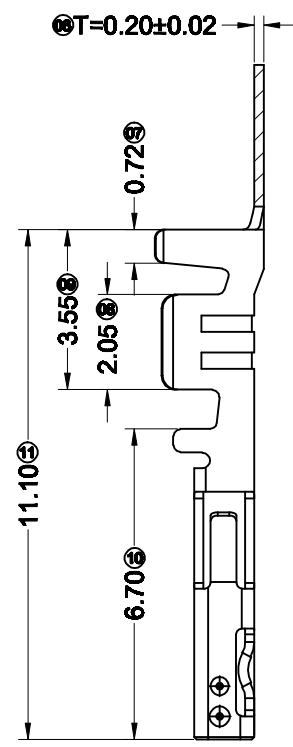
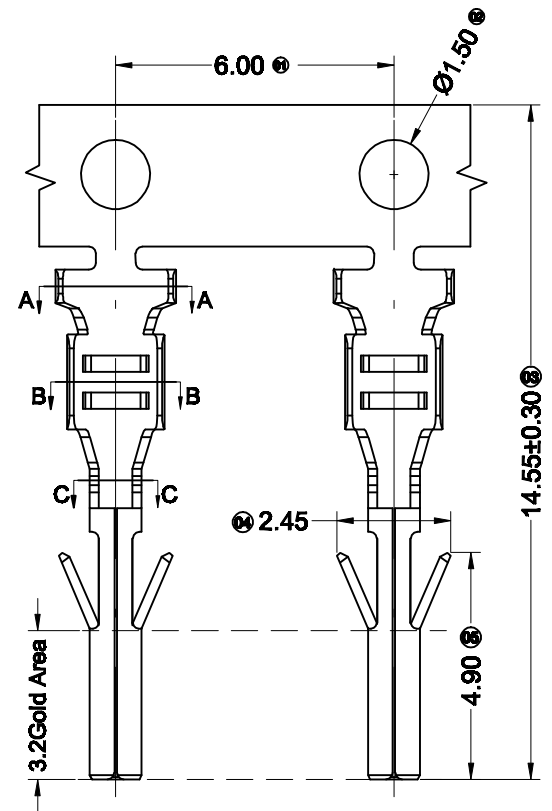
Poles	Dimensions(mm)			
	A	B	C	D
02	3.00	6.90	7.21	10.88
03	6.00	9.90	10.21	13.88
04	9.00	12.90	13.21	16.88
05	12.00	15.90	16.21	19.88
06	15.00	18.90	19.21	22.88
07	18.00	21.90	22.21	25.88
08	21.00	24.90	25.21	28.88
09	24.00	27.90	28.21	31.88
10	27.00	30.90	31.21	34.88
11	30.00	33.90	34.21	37.88
12	33.00	36.90	37.21	40.88

2018/05/24	E	F	/	New PCB board layout view	Yu wei	Smark	<b>GENERAL TOLERANCE</b> X ±0.30 XX ±0.20 XXX ±0.10	<b>东莞市翰皓精密电子有限公司</b> <b>Dongguan HanHao Precision Electronics Co.,Ltd</b>				PART NO. M3001MH-XX			
2017/04/25	D	E		Add Material Option	Yu wei	Jacky						TITLE 3.00 mm Crimp Style Connectors			
2015/01/05	C	D		Modify Temperature	Jova	Jova Lau		APPROVAL	CHECK	DRAWN	DATA	Smark	Yu wei	Liu Yan	2007/05/03
DATE	OLD REV	NEW REV	ECN	DESCRIPTION	CHECK	APPROVAL	PROJECT	UNIT mm	SCALE 1:1	NUMBER A-62	REV F				

1 | 2 | 3 | 4 | 5 | 6 | 7 | 8

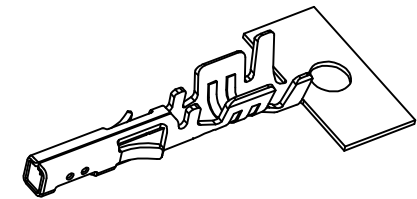
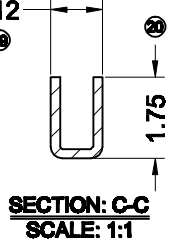
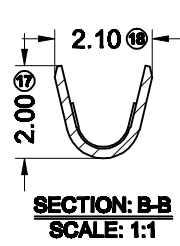
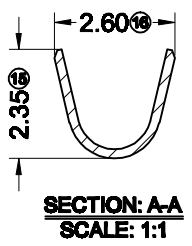
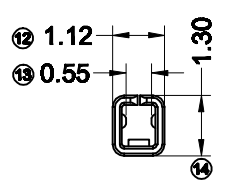
F  
E  
D  
C  
B  
A

F  
E  
D  
C  
B  
A



- Specifications :
- Voltage rating: 250V AC / DC
  - Current rating: 5A AC / DC
  - Withstanding voltage: 1000V AC/minute
  - Temperature range: -40°C~+105°C
  - Insulation resistance: ≥1000MΩ
  - Contact resistance: ≤10mΩ
  - After environmental testing : ≤20mΩ
- Wire Size:AWG#20-24(0.5~0.22mm<sup>2</sup>)
- Insulation O.D.:1.85mm(Max)
- Used In HLB Housing:M3001FH-XX:M3003FH-XX

- ① Series Number:M3001MT
- ② Category: terminal
- ③ Shape: Male Terminal
- ④ Material: Phosphor bronze
- ⑤ Plating style:  
 Contact Area gold 30u"Min ,Ni 20u" Min  
 Contact Area gold 15u"Min,Ni 20u" Min  
 Contact Area Gold Flash,Ni:50u"Min  
 Bright tin plating 100u"Min Sn,Ni:50u"Min
- ⑥ Plating method: Stamping before plating
- ⑦ Convex hull limit

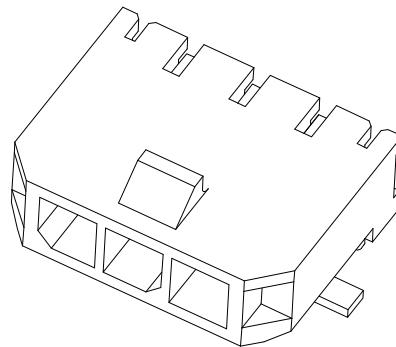
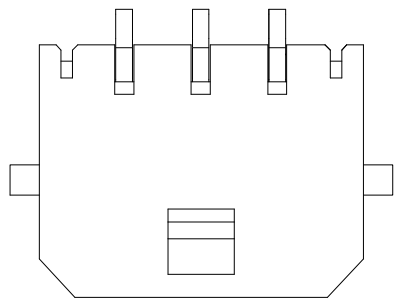


								GENERAL TOLERANCE		东莞市翰皓精密电子有限公司 Dongguan HanHao Precision Electronics Co.,Ltd				PART NO. M3001MT									
								X ±0.30		APPROVAL				TITLE 3.00mm Crimp Style Connectors									
								XX ±0.20		CHECK		DRAWN		DATA		UNIT		SCALE		NUMBER		REV	
								XXX ±0.10		Smark		Guo		Alan qin		MM		1:1		A-000		A	
DATE								PROJECT		2017/09/14													
OLD REV		NEW REV		ECN		DESCRIPTION		CHECK		APPROVAL													
1		2		3		4		5		6		7		8									

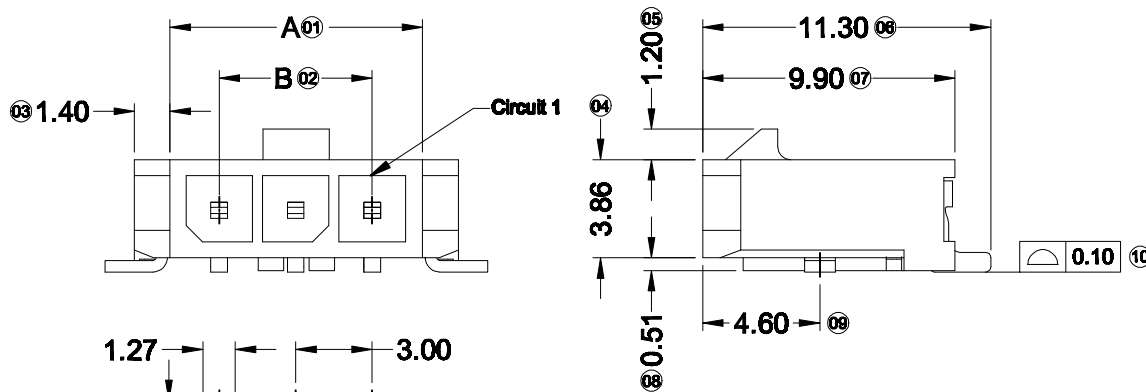
1 | 2 | 3 | 4 | 5 | 6 | 7 | 8

F  
E  
D  
C  
B  
A

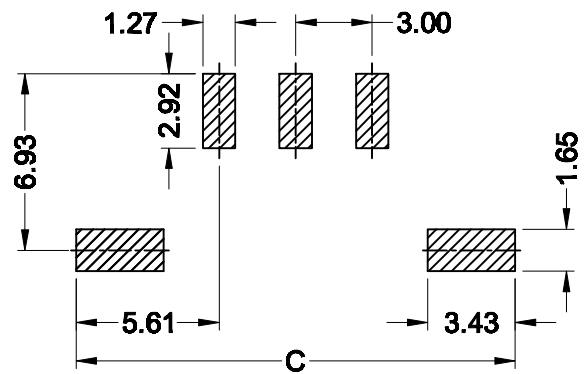
F  
E  
D  
C  
B  
A



- Specifications :
- Voltage rating: 250V AC / DC
  - Current rating: 5A AC / DC
  - Withstanding voltage: 1000V AC/minute
  - Temperature range: -40°C--+105°C
  - Insulation resistance: ≥1000MΩ
  - Contact resistance: ≤10mΩ
  - After environmental testing : ≤20mΩ
  - Material(Pin):Brass
  - Material(Solder Tabs):Brass
  - Finish(Solder Tabs):Matte Tin Plating
  - Mates With HLB Housing:M3001FH-XX



- ① Series No.:M3001W
- ② Welding Board Angle:Right angle 90 °
- ③ Welding Way: SMT
- ④ Row No.-Pin No.: Single row
- ⑤ Special NO. :Solder Tabs
- ⑥ Material: LCP 94V-0
- ⑦ Plating Category: Matte Tin plating
- ⑧ Contact Area Gold 15u" Min.  
Color: Black color



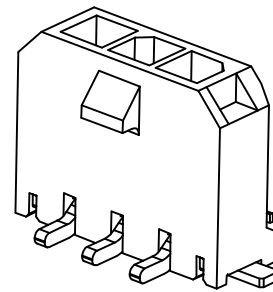
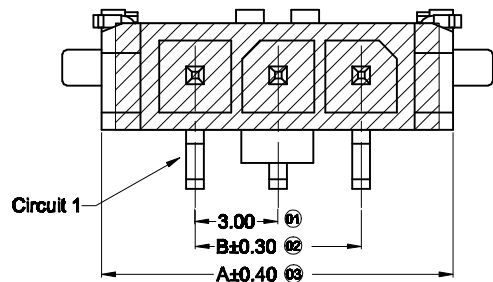
Poles	Dimensions		
	A	B	C
02	6.85	3.00	14.20
03	9.85	6.00	17.20
04	12.85	9.00	20.20
05	15.85	12.00	23.20
06	18.85	15.00	26.20
07	21.85	18.00	29.20
08	24.85	21.00	32.20
09	27.85	24.00	35.20
10	30.85	27.00	38.20
11	33.85	30.00	41.20
12	36.85	33.00	44.20

2015/04/08	C	D		Add 15u" NO.	W.X.T	Joshua	<b>GENERAL TOLERANCE</b> X ±0.30 XX ±0.20 XXX ±0.10	<b>东莞市翰皓精密电子有限公司</b> Dongguan HanHao Precision Electronics Co.,Ltd				PART NO.			
2013/08/29	B	C		Modify drawing frame format	Luna	Joshua						M3001WRS-XX			
2011/09/08	A	B		Modify drawing frame format	Luna	Joshua		TITLE							
								APPROVAL	CHECK	DRAWN	DATA	3.00 mm Crimp Style Connectors			
DATE	OLD REV	NEW REV	ECN	DESCRIPTION	CHECK	APPROVAL	PROJECT	Kim Huang	Joshua	Liu Yan	2007/05/03	UNIT	SCALE	NUMBER	REV
												MM	1:1	A-000	D

1 | 2 | 3 | 4 | 5 | 6 | 7 | 8

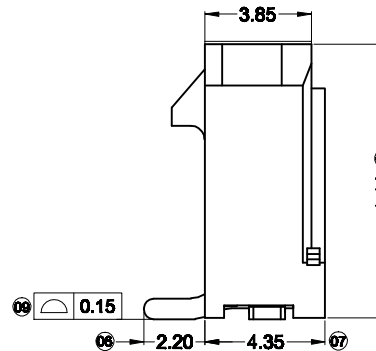
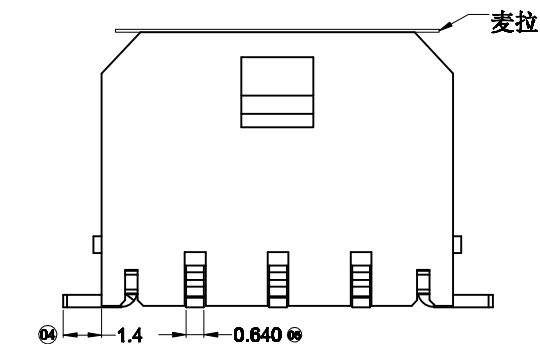
1 | 2 | 3 | 4 | 5 | 6 | 7 | 8

F  
E  
D  
C  
B  
A

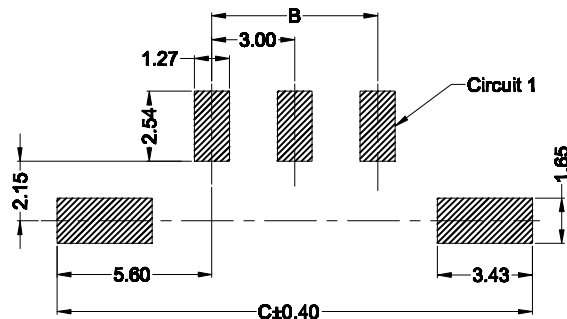


■ Specifications :

- Voltage rating: 250V AC / DC
- Current rating: 5A AC / DC
- Withstanding voltage: 1000V AC/minute
- Temperature range: -25°C~+85°C
- Insulation resistance: ≥1000MΩ
- Contact resistance: ≤10mΩ
- After environmental testing : ≤20mΩ
- Material(Pin&Solder Tabs):Brass
- Finish(Solder Tabs):Matte Tin Plating
- Mates With HLB Housing:M3001FH-XX



- ① Series No.M3001W
- ② Welding Board Angle: Straight 180°
- ③ Welding Way: SMT
- ④ Row No.-Pin No.: Single row
- ⑤ Special NO.: Solder Tabs
- ⑥ Material: LCP 94V-0
- ⑦ Plating Category: Matte Tin plating
- ⑧ Contact Area Au 30u" Min  
Color: Black Color
- ⑨ Packing code: mylar+Reel



Recommended P.C.B Layout  
General Tolerance±0.05

Poles	Dimensions(mm)		
	A	B	C
02	9.70	3.00	14.20
03	12.70	6.00	17.20
04	15.70	9.00	20.20
05	18.70	12.00	23.20
06	21.70	15.00	26.20
07	24.70	18.00	29.20
08	27.70	21.00	32.20
09	30.70	24.00	35.20
10	33.70	27.00	38.20
11	36.70	30.00	41.20
12	39.70	33.00	44.20

							GENERAL TOLERANCE	东莞市翰皓精密电子有限公司 Dongguan HanHao Precision Electronics Co.,Ltd				PART NO. M3001WVS-XX			
							X ±0.30	APPROVAL				TITLE 3.00mm Crimp Style Connectors			
							.XX ±0.20	CHECK Guo				NUMBER A-000			
							.XXX ±0.10	DRAWN Oneh				REV A			
DATE	OLD REV	NEW REV	ECN	DESCRIPTION	CHECK	APPROVAL	PROJECT	2019/02/20							
1															
2															
3															
4															
5															
6															
7															
8															

F  
E  
D  
C  
B  
A