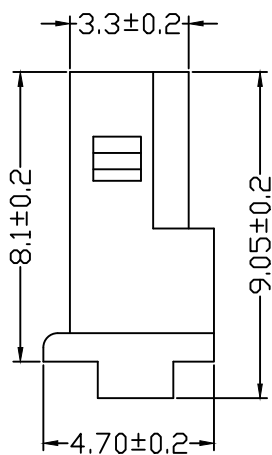
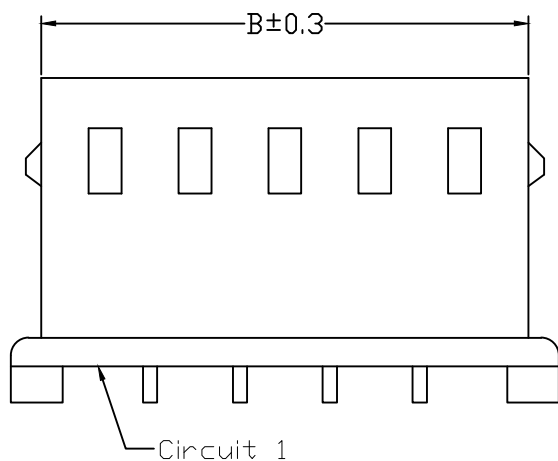
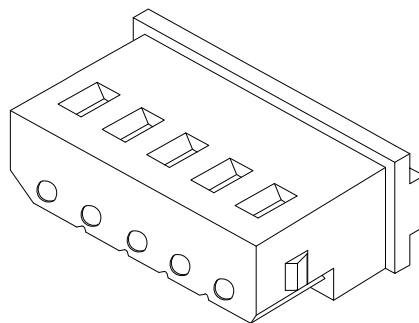
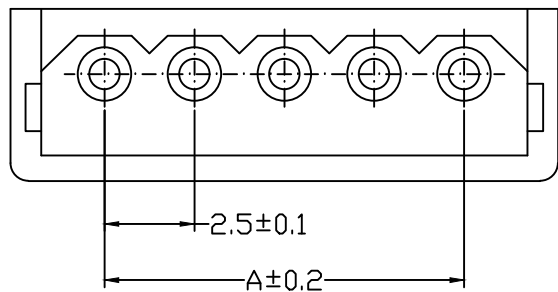


环保物料



■ Specifications(规格) :

- Voltage rating(额定电压): 250V AC / DC
- Current rating(额定电流): 3A AC / DC
- Withstanding voltage(耐压值): 1000V AC/minute
- Temperature range(工作温度): -25°C~+85°C
- Insulation resistance(绝缘电阻): ≥1000MΩ
- Contact resistance(接触电阻): ≤20mΩ
- After environmental testing(环境测试后): ≤30mΩ

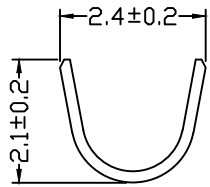
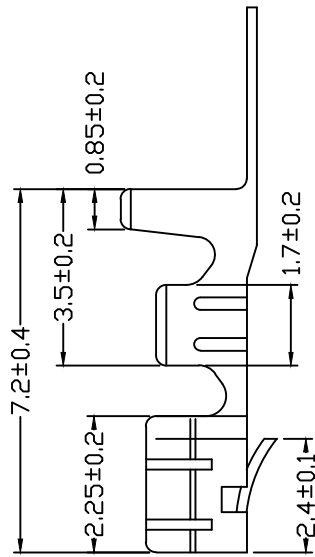
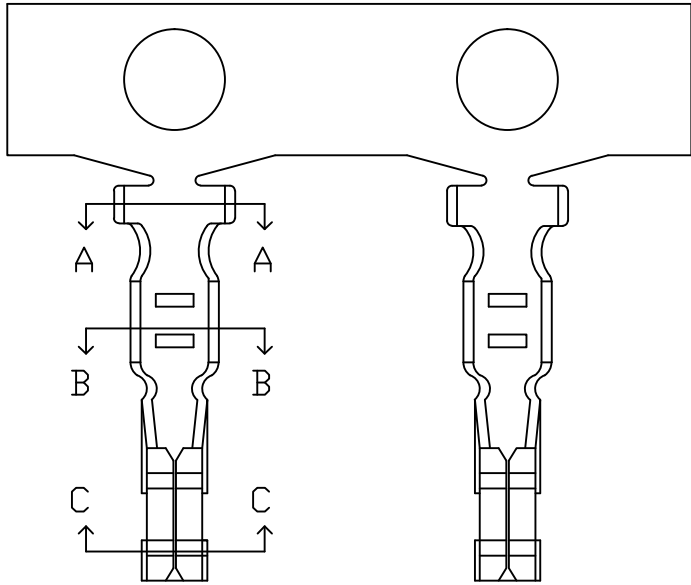
■ Housing(胶壳)

- Part No. (料号) : M2503H-XXP
- Poles (PIN数) : 02-16
- Material (材质) : Nylon 66 (尼龙66) UL 94V-0
- Suitable HHB M2503T series Terminal(匹配M2503T系列端子)
- Mates with HHB M2503W、M2503WR series Wafer (匹配M2503W、M2503WR 系列针座)
- Q'ty (数量) : 1,000Pcs/Bag/每袋 (1,000Pcs)

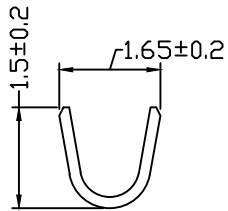
Poles	Part No	Dimensions (mm)	
		A	B
2	M2503H-02P	2.50	5.90
3	M2503H-03P	5.00	8.40
4	M2503H-04P	7.50	10.90
5	M2503H-05P	10.00	13.40
6	M2503H-06P	12.50	15.90
7	M2503H-07P	15.00	18.40
8	M2503H-08P	17.50	20.90
9	M2503H-09P	20.00	23.40
10	M2503H-10P	22.50	25.90
11	M2503H-11P	25.00	28.40
12	M2503H-12P	27.50	30.90
13	M2503H-13P	30.00	33.40
14	M2503H-14P	32.50	35.90
15	M2503H-15P	35.00	38.40
16	M2503H-16P	37.50	40.90

				一般公差 GENERAL TOLERANCE				东莞市翰皓精密电子有限公司 Dongguan HanHao Precision Electronics Co.,Ltd				料号 PART NO M2503H-XXP			
				.X ±0.3 .XX ±0.2 .XXX ±0.1				核准 APPD		审核 CHK		绘图 DR		日期 DATA	
2011/05/14		A	B	修改图框格式				DON		SUCCESS		2007/05/03		品名 TITLE 2.50 mm Crimp Style connectors	
日期 DATE	旧版次 OLD REV	新版次 NEW REV	变更内容 DESCRIPTION				审核 CHK	核准 APPD	角法 PROJECT		单位 UNIT	比例 SCALE	图号 NUMBER	版次 REV	
									⊕ □		MM	1/1	A-003	B	

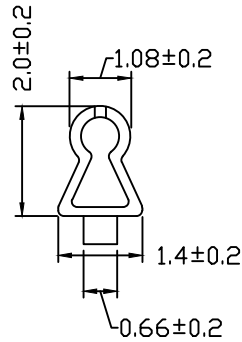
环保物料



A-A SEC



B-B SEC



C-C SEC

■ SPECIFICATIONS

- Voltage rating : 250V AC, DC
- Current rating : 3A
- Withstanding voltage : 1000V AC/minute
- Insulation resistance : 1000M Ω min.
- Temperature range : - 25 to + 85
- (Including temperature rise in applying electrical current)
- Contact resistance : Initial value/20MΩ after environmental testing/20MΩmax.

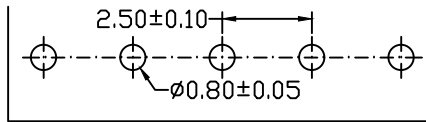
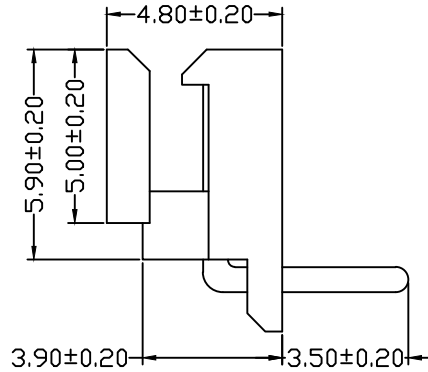
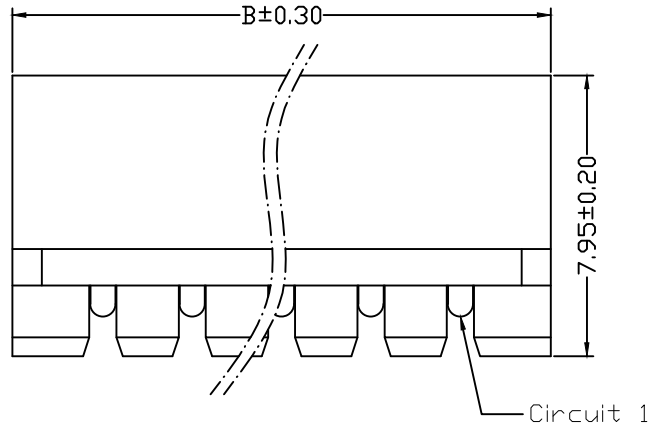
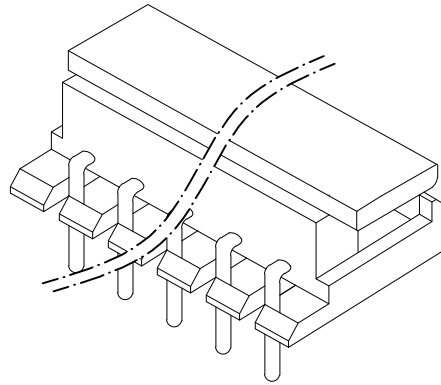
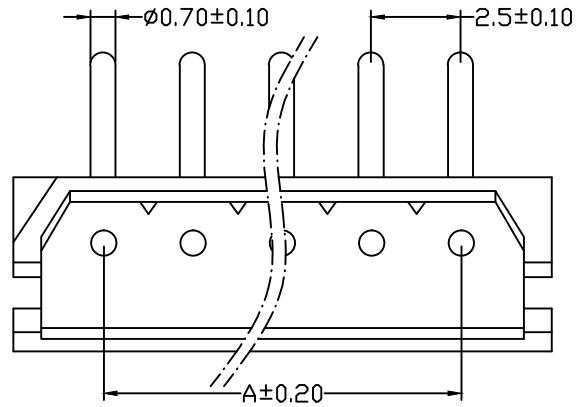
■ TERMINAL

- Part No. : M2503T
- Applicable wires : AWG# 22-30
- Material : Phosphor Bronze
- Finish : Tin plated
- Thickness : 0.2mm
- Used in HHB M2503H series Housing
- Q'ty : 10000 pcs/reel

				一般公差 GENERAL TOLERANCE		东莞市翰皓精密电子有限公司 Dongguan HanHao Precision Electronics Co.,Ltd			料号 PART NO M2503T			
				. X ±0.3 . XX ±0.2 . XXX ±0.1		核准 APPD 审核 CHK 绘图 DR 日期 DATA			品名 TITLE 2.50 mm Crimp Style connectors			
2011/05/14	A	B	修改图框格式			角法 PROJECT DON SUCCESS		2007/05/03	单位 UNIT MM	比例 SCALE 4/1	图号 NUMBER A-003	版次 REV B

环保物料

F
E
D
C
B
A



Recommant PCB Layout

■ Specifications(规格) :

- Voltage rating(额定电压): 250V AC / DC
- Current rating(额定电流): 3A AC / DC
- Withstanding voltage(耐压值): 1000V AC/minute
- Temperature range(工作温度): -25°C~+85°C
- Insulation resistance(绝缘电阻): $\geq 1000M\Omega$
- Contact resistance(接触电阻): $\leq 20m\Omega$
- After environmental testing(环境测试后): $\leq 30m\Omega$

■ Wafer(针座)

- Part No. (料号) :M2503WR-XXP
- Poles (PIN数) : 02-16
- Material (材质) :Housing(胶壳) : Nylon 66 (尼龙66) UL 94V-0
Pin针:Brass (黄铜)
Finish (电镀) :Tin-Plated (镀锡)
- Mates With HHB M2503H-XXP Series Housing
(匹配 M2503H-XXP 系列胶壳)
- Q' ty (数量) : 1,000Pcs/Bag/每袋 (1,000Pcs)

Poles	Part No	Dimensions (mm)	
		A	B
2	M2503WR-02P	2.50	7.55
3	M2503WR-03P	5.00	10.05
4	M2503WR-04P	7.50	12.55
5	M2503WR-05P	10.00	15.05
6	M2503WR-06P	12.50	17.55
7	M2503WR-07P	15.00	20.05
8	M2503WR-08P	17.50	22.55
9	M2503WR-09P	20.00	25.05
10	M2503WR-10P	22.50	27.55
11	M2503WR-11P	25.00	30.05
12	M2503WR-12P	27.50	32.55
13	M2503WR-13P	30.00	35.05
14	M2503WR-14P	32.50	37.55
15	M2503WR-15P	35.00	40.05
16	M2503WR-16P	37.50	42.55

A

				一般公差 GENERAL TOLERANCE		东莞市翰皓精密电子有限公司 Dongguan HanHao Precision Electronics Co.,Ltd				料号 PART NO M2503WR-XXP			
				.X ±0.3 .XX ±0.2 .XXX ±0.1		核准 APPD 审核 CHK 绘图 DR 日期 DATA				品名 TITLE 2.50 mm Crimp Style connectors			
2011/05/14	A	B	修改图框格式			角法 PROJECT DON SUCCESS				单位 UNIT 比例 SCALE 图号 NUMBER 版次 REV MM 1/1 A-106 B			
日期 DATE	旧版次 OLD REV	新版次 NEW REV	变更内容 DESCRIPTION			审核 CHK	核准 APPD	2007/05/03					

1 2 3 4 5 6 7 8

F
E
D
C
B
A