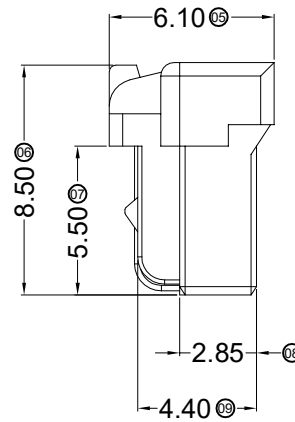
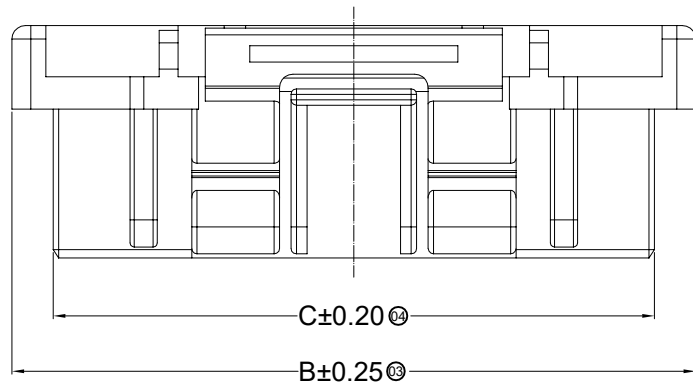


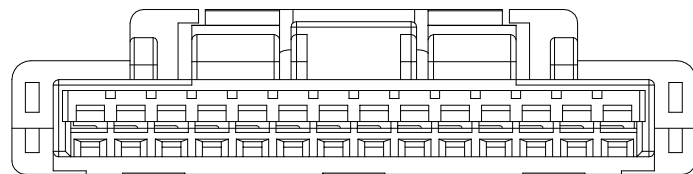
■ Specifications :

- Voltage rating: 100V AC / DC
- Current rating: 2A AC / DC
- Withstanding voltage: 500V AC/minute
- Temperature range: -40°C~+105°C
- Insulation resistance: ≥500MΩ
- Contact resistance: ≤20mΩ
- After environmental testing: ≤40mΩ
- Suitable HLB Terminal: M1515T
- Mates With HLB Wafer: M1515W



- ① Series No. M1515H
- ② Appearance type:
- ③ Row No.-Pin No.: 02P~15P
- ④ Special No.:
- ⑤ Material: PA66 94V-0
- ⑥ Color: Natural Color

02P~03P Shape Scale 1:1



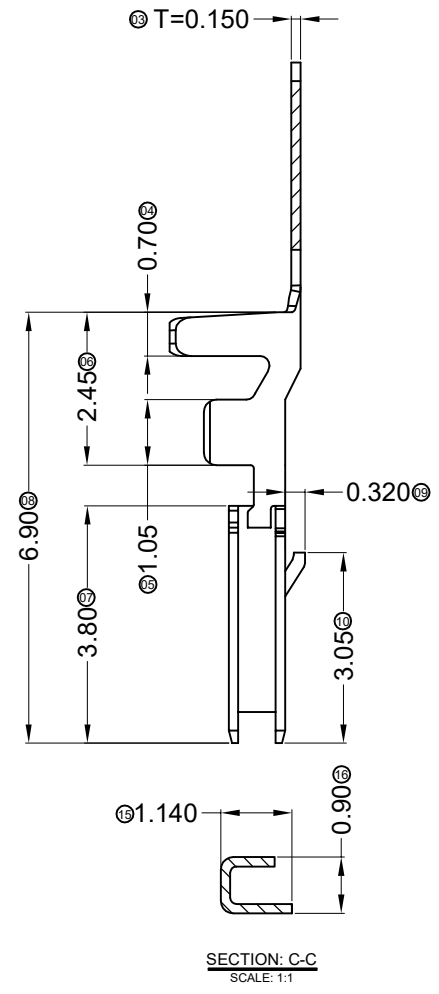
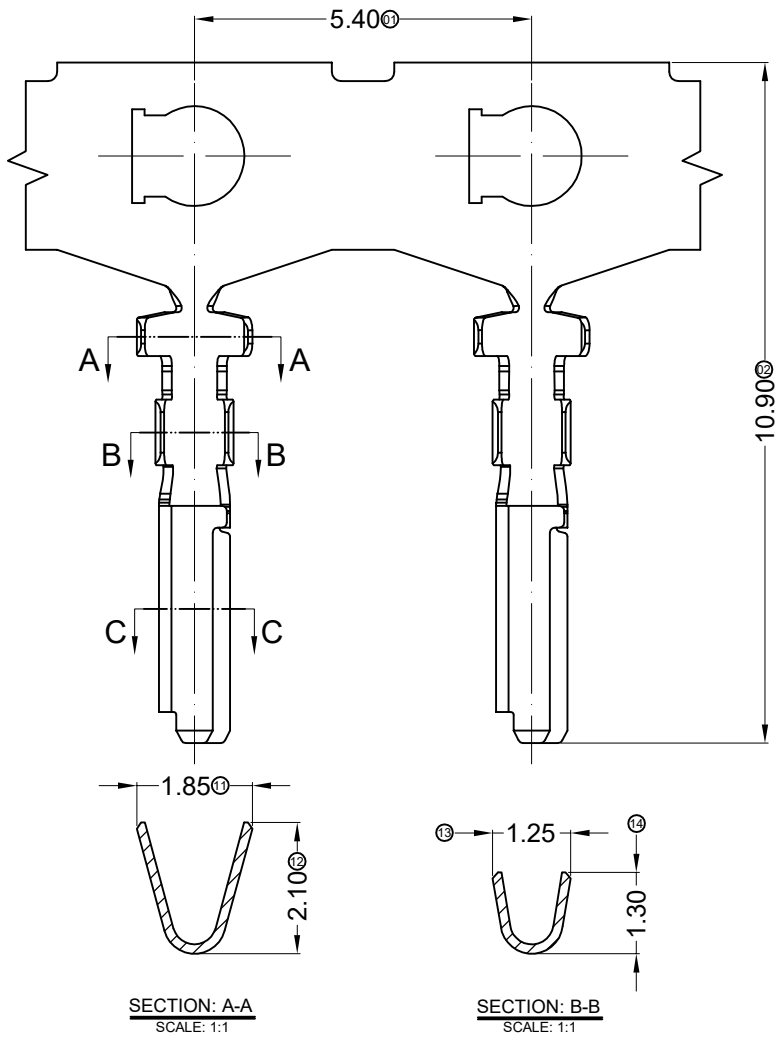
Poles	Dimensions (mm)			Poles	Dimensions (mm)		
	A	B	C		A	B	C
02	1.50	7.30	4.25	09	12.00	17.80	14.75
03	3.00	8.80	5.75	10	13.50	19.30	16.25
04	4.50	10.30	7.25	11	15.00	20.80	17.75
05	6.00	11.80	8.75	12	16.50	22.30	19.25
06	7.50	13.30	10.25	13	18.00	23.80	20.75
07	9.00	14.80	11.75	14	19.50	25.30	22.25
08	10.50	16.30	13.25	15	21.00	26.80	23.75

							GENERAL TOLERANCE	东莞市翰皓精密电子有限公司 Dongguan HanHao Precision Electronics Co.,Ltd				PART NO. M1515H-XX			
							X ±0.30					TITLE 1.50mm Crimp Style Connectors			
2019/07/10	A	B	EN20190710002	Cancel the PBT material	Hai Li	Robing	.XX ±0.20	APPROVAL	CHECK	DRAWN	DATA	UNIT	SCALE	NUMBER	REV
DATE	OLD REV	NEW REV	ECN	DESCRIPTION	CHECK	APPROVAL	.XXX ±0.10	PROJECT	Robing	Hai Li	JohnYang	MM	1:1	A-000	B

1 2 3 4 5 6 7 8

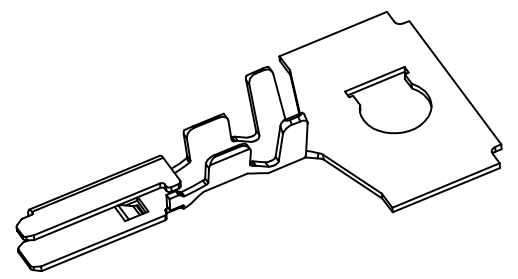
F
E
D
C
B

F
E
D
C
B



- Specifications :
- Voltage rating: 100V AC / DC
 - Current rating: 2A AC / DC
 - Withstanding voltage: 500V AC/minute
 - Temperature range: -40°C~+105°C
 - Insulation resistance: ≥500MΩ
 - Contact resistance: ≤20mΩ
 - After environmental testing : ≤40mΩ
- Wire Size: AWG#24~26(0.22~0.13mm²)
 - Insulation O.D.: 1.28mm(Max)
 - Used In HLB Housing: M1515H

- ① Series Number: M1515T
- ② Shape: ordinary
- ③ Material: Phosphor bronze
- ④ Plating style: Bright tin plating
- ⑤ Plating method:
Stamping before plating
Mold No./Mark/Special No.

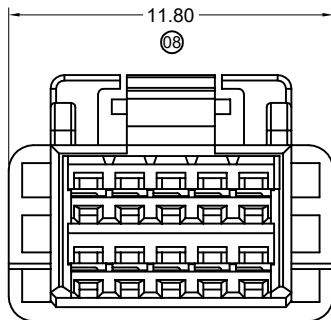
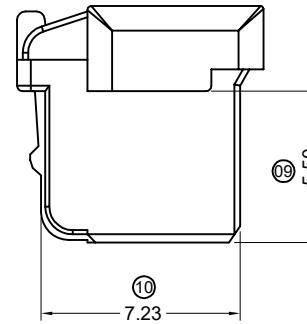
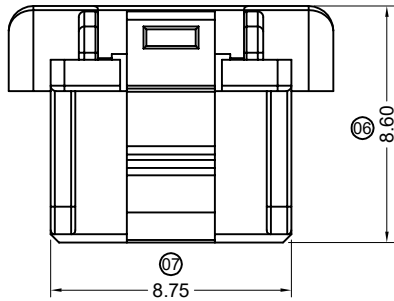
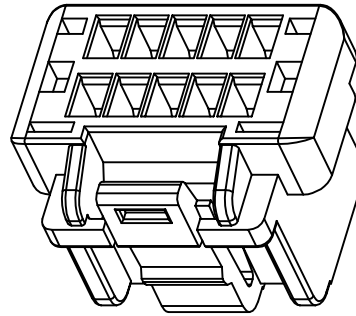
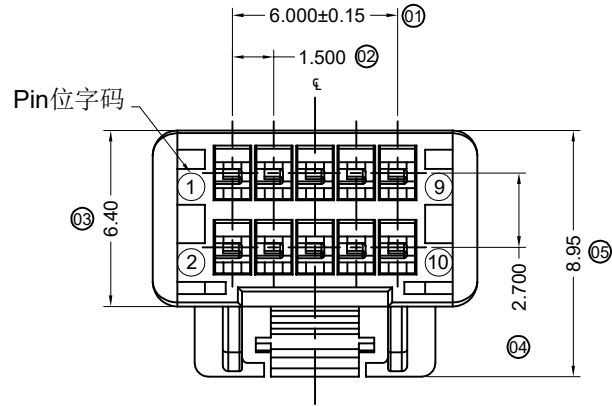


							GENERAL TOLERANCE X ±0.30 .XX ±0.20 .XXX ±0.10				东莞市翰皓精密电子有限公司 Dongguan HanHao Precision Electronics Co.,Ltd				PART NO. M1515T			
2015/04/22 B C Modify the drawing frame format jian.He Jova Lau							APPROVAL CHECK DRAWN DATA Robing Hai Li JohnYang 2018/06/05				TITLE 1.50mm Crimp Style Connectors							
2014/06/05 A B Modify the drawing frame format Jova Bob											UNIT SCALE NUMBER REV MM 1:1 A-014 C							
DATE	OLD REV	NEW REV	ECN	DESCRIPTION	CHECK	APPROVAL	PROJECT											

1 2 3 4 5 6 7 8

A

A

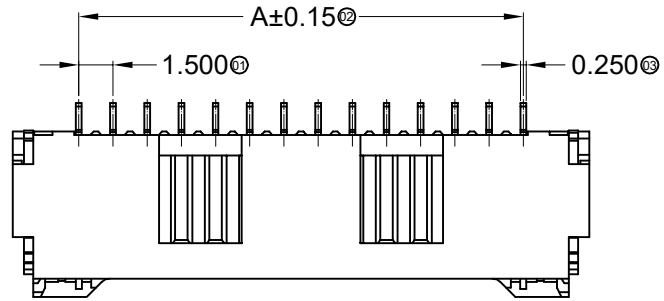


■ Specifications :

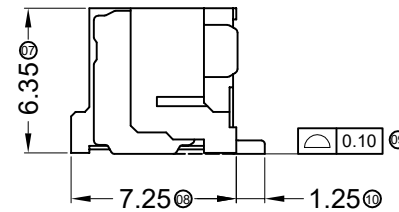
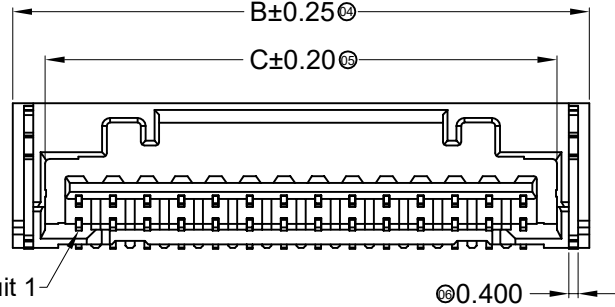
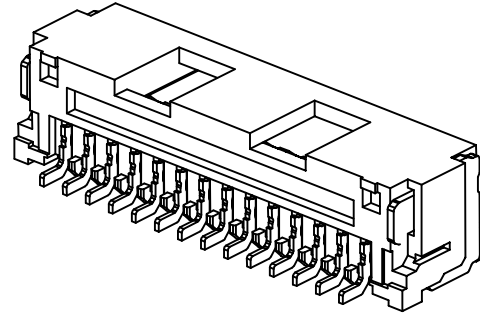
- Voltage rating: 100V AC / DC
- Current rating: 2A AC / DC
- Withstanding voltage: 500V AC/minute
- Temperature range: -40°C~+105°C
- Insulation resistance: ≥500MΩ
- Contact resistance: ≤20mΩ
- After environmental testing : ≤40mΩ
- Suitable HLB Terminal: M1515T
- Mates With HLB Wafer: M1515WVS-2*05

- ① Series No. M1515H
- ② Appearance type: Ordinary
- ③ Row No.-Pin No.: 2*5PIN
- ④ Plug the Pin & Special No.:
- ⑤ Material : PBT 94V-0
- ⑥ Color: Natural Color

							GENERAL TOLERANCE X ±0.30 .XX ±0.20 .XXX ±0.10		东莞市翰皓精密电子有限公司 Dongguan HanHao Precision Electronics Co.,Ltd				PART NO. M1515H-2*05P			
									APPROVAL Smark CHECK Joshua DRAWN JohnYang DATA 2017/03/17		TITLE 1.50mm Crimp Style Connectors					
DATE	OLD REV	NEW REV	ECN	DESCRIPTION	CHECK	APPROVAL	PROJECT		UNIT	SCALE	NUMBER	REV				
1			2	3		4	⑧ ⑨		MM	1:1	A-000	A				



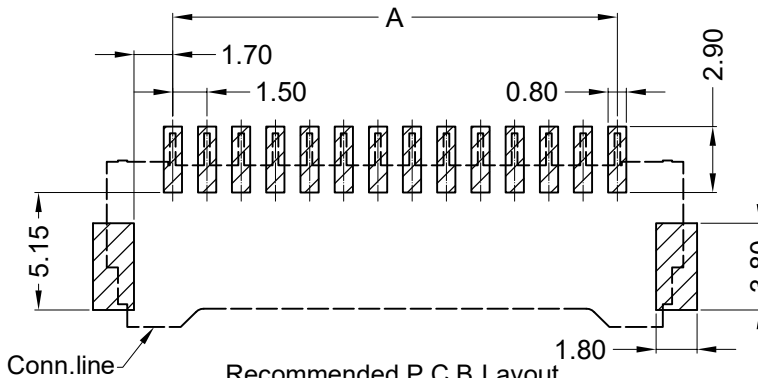
06P-15P Double Hole
Scale 1:1



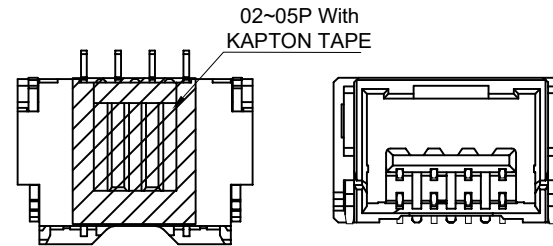
■ Specifications :

- Voltage rating: 100V AC / DC
- Current rating: 2A AC / DC
- Withstanding voltage: 500V AC/minute
- Temperature range: -40°C~+105°C
- Insulation resistance: ≥500MΩ
- Contact resistance: ≤20mΩ
- After environmental testing: ≤40mΩ
- Mates With HLB Housing: M1515H-XX

- ① Series No.M1515W
- ② Welding Board Angle: Right angle 90°
- ③ Welding Way: SMT
- ④ Row No.-Pin No.: 02P~15P
- ⑤ Plug the Pin & Special No.:
- ⑥ Material: LCP 94V-0
- ⑦ Planting Category: Matte Tin Plating
- ⑧ Color: Natural Color;



Recommended P.C.B Layout
General Tolerance±0.05



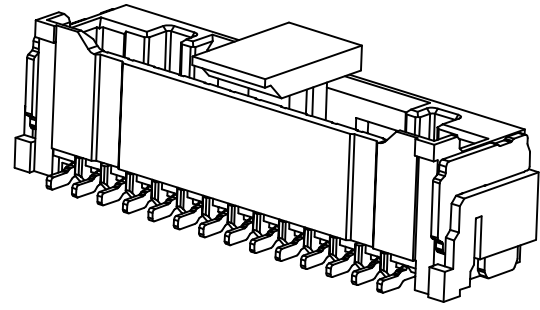
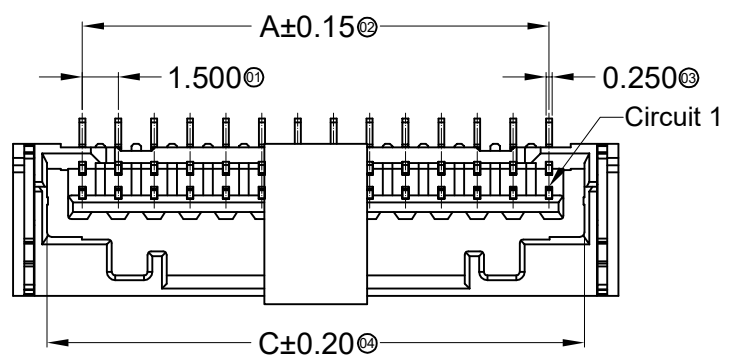
02P-05P Single Hole
Scale 1:1

Poles	Dimensions (mm)		
	A	B	C
02	1.50	7.30	4.45
03	3.00	8.80	5.95
04	4.50	10.30	7.45
05	6.00	11.80	8.95
06	7.50	13.30	10.45
07	9.00	14.80	11.95
08	10.50	16.30	13.45
09	12.00	17.80	14.95
10	13.50	19.30	16.45
11	15.00	20.80	17.95
12	16.50	22.30	19.45
13	18.00	23.80	20.95
14	19.50	25.30	22.45
15	21.00	26.80	23.95

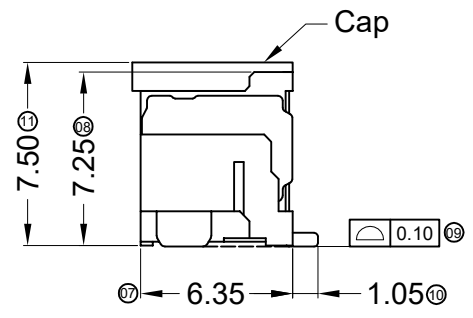
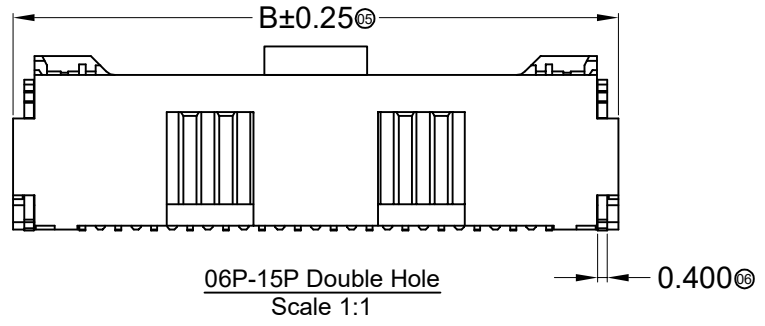
DATE	OLD REV	NEW REV	ECN	DESCRIPTION	CHECK	APPROVAL	PROJECT
2018/09/27	F	G	EN20180927002	Add the PA9T 94V-0 and the black color	Joshua	Smark	① ②

GENERAL TOLERANCE X ±0.30 .XX ±0.20 .XXX ±0.10				东莞市翰皓精密电子有限公司 Dongguan HanHao Precision Electronics Co.,Ltd			
APPROVAL	CHECK	DRAWN	DATA	Smarm	Guo	JohnYang	2012/08/13

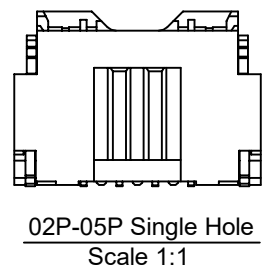
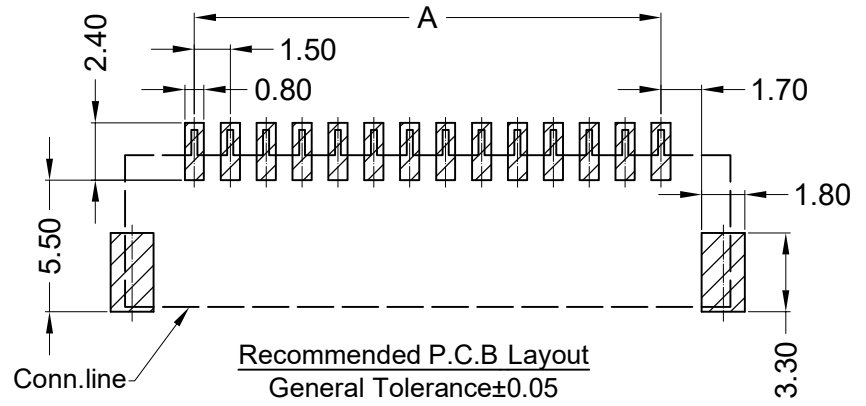
PART NO. M1515WRS-XX			
TITLE 1.50mm Crimp Style Connectors			
UNIT	SCALE	NUMBER	REV
MM	1:1	A-000	G



- Specifications :**
- Voltage rating: 100V AC / DC
 - Current rating: 2A AC / DC
 - Withstanding voltage: 500V AC/minute
 - Temperature range: -40°C~+105°C
 - Insulation resistance: ≥500MΩ
 - Contact resistance: ≤20mΩ
 - After environmental testing: ≤40mΩ



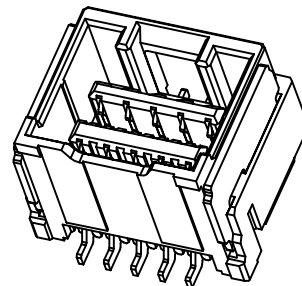
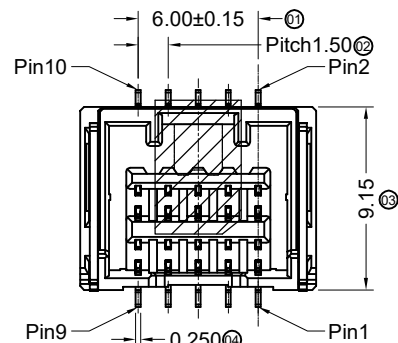
- ① Series No.M1515W
- ② Welding Board Angle: Straight 180°
- ③ Welding Way: SMT
- ④ Row No.-Pin No.: 02P~15P
- ⑤ Plug the Pin & Special No.:
- ⑥ Material: LCP 94V-0 ;
- ⑦ Planting Category: Matte Tin Plating
- ⑧ Color: Natural Color



Poles	Dimensions (mm)			Poles	Dimensions (mm)		
	A	B	C		A	B	C
02	1.50	7.30	4.45	09	12.00	17.80	14.95
03	3.00	8.80	5.95	10	13.50	19.30	16.45
04	4.50	10.30	7.45	11	15.00	20.80	17.95
05	6.00	11.80	8.95	12	16.50	22.30	19.45
06	7.50	13.30	10.45	13	18.00	23.80	20.95
07	9.00	14.80	11.95	14	19.50	25.30	22.45
08	10.50	16.30	13.45	15	21.00	26.80	23.95

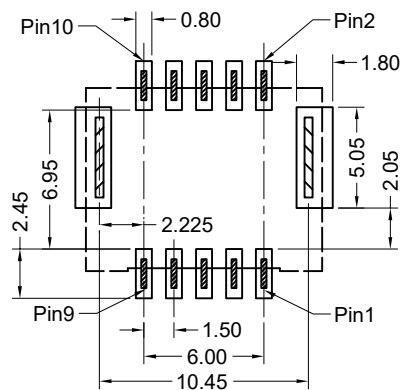
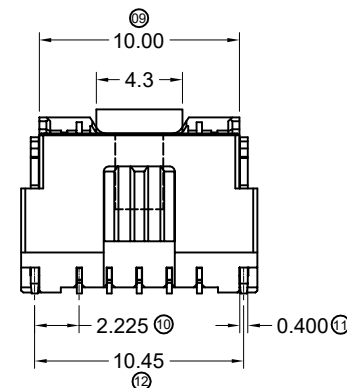
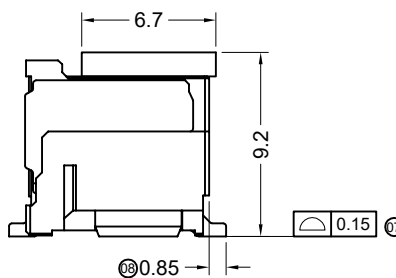
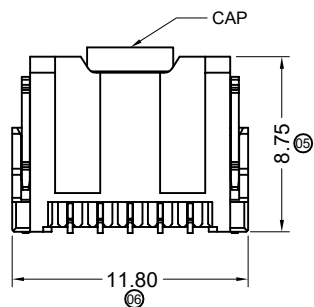
M1515WVS-XX	LCP UL 94V-0	Phosphor Bronze	Brass	Matte Tin-Plated	M1515H
PART NO	Material	Material(Pin)	Material (Solder Tabs)	Finish (Pin And Solder Tabs)	Mates With HLB Housing

2015/12/16	F	G		Add the Cap	sylvia	Jova Lau	GENERAL TOLERANCE X ±0.30 .XX ±0.20 .XXX ±0.10	东莞市翰皓精密电子有限公司 Dongguan HanHao Precision Electronics Co.,Ltd				PART NO. M1515WVS-XX			
2015/04/22	E	F		Modify drawing frame format	jian.He	Jova Lau						TITLE 1.50mm Crimp Style Connectors			
2014/06/07	D	E		Space of a Whole page Changes	Jova	Bob		APPROVAL Smark CHECK Guo DRAWN JohnYang DATA 2014/06/07	UNIT	SCALE	NUMBER	REV			
DATE	OLD REV	NEW REV	ECN	DESCRIPTION	CHECK	APPROVAL	PROJECT	MM	1:1	A-000	G				



■ Specifications :

- Voltage rating: 100V AC / DC
- Current rating: 2A AC / DC
- Withstanding voltage: 500V AC/minute
- Temperature range: -40°C~+105°C
- Insulation resistance: ≥500MΩ
- Contact resistance: ≤20mΩ
- After environmental testing: ≤40mΩ
- Mates With HLB Housing: M1515H-2*05



RECOMMENDED P.C.B LAYOUT
(TOLERANCE:±0.05)

- ① Series No.M1515W
- ② Welding Board Angle: Straight 180°
- ③ Welding Way: SMT
- ④ Row No.-Pin No.: 2*05P
- ⑤ Plug the Pin & Special No.:
- ⑥ Material: LCP 94V-0;
- ⑦ Planting Category: Matte Tin Plating
- ⑧ Color: Natural Color

DATE	OLD REV	NEW REV	ECN	DESCRIPTION	CHECK	APPROVAL	PROJECT
1							
2							
3							
4							

GENERAL TOLERANCE			
.X	±0.30		
.XX	±0.20		
.XXX	±0.10		

东莞市翰皓精密电子有限公司 Dongguan HanHao Precision Electronics Co.,Ltd			
APPROVAL	CHECK	DRAWN	DATA
Smark	Joshua	JohnYang	2017/03/17

PART NO. M1515WVS-2*05P			
TITLE 1.50mm Crimp Style Connectors			
UNIT MM	SCALE 1 : 1	NUMBER A-000	REV A